

CURVIA SEAL

Recessed - Trim



This product must be installed in accordance with the National Electrical Code and all applicable local codes, by a person familiar with the construction and operation of the product, and the hazards involved. Proper grounding is required for safety.

Ce produit doit être installé suivant le code national de l'électricité, ainsi que tous les codes locaux applicables, par une personne familière avec la construction et le fonctionnement du produit, ainsi que tous les risques qui y sont associés. La mise à terre électrique est obligatoire pour la sécurité.



Wire dimming conductors as Class 1.



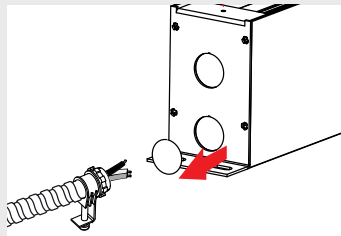
For electrical connections, please refer to the [wiring diagram guide](#).



Shown with Curvia 2 and applies to 3 and 4 too.



For remote driver box, please refer to the [remote driver installation sheet](#) for more information.

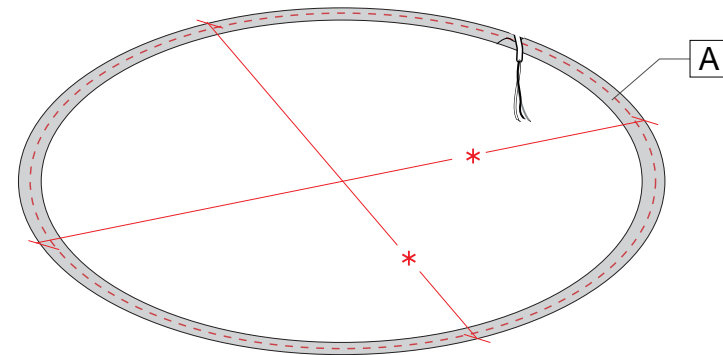


SINGLE FIXTURE

1 PREPARE THE CEILING.

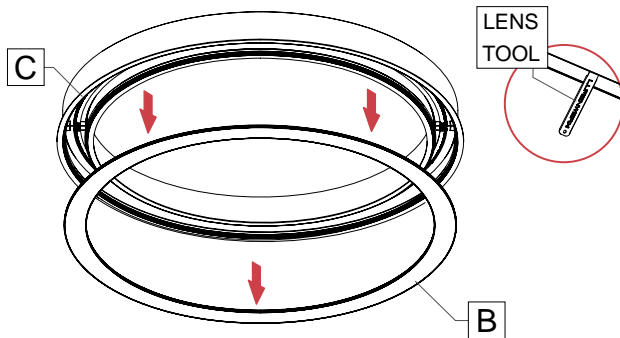
Prepare the area where the fixture is going to be installed. Cut hole in the ceiling [A] and locate where the mounting points will be according to the dimensions [*] given in the client drawings.

Number of mounting brackets may vary.



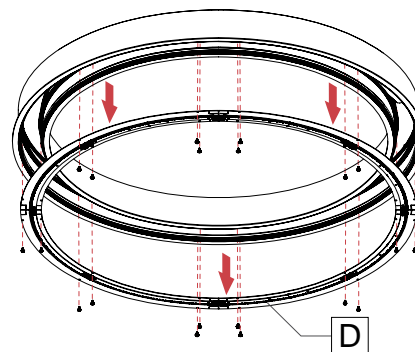
2 REMOVE LENS.

Remove the lens [B] from the fixture [C] using the provided lens tool and keep in a safe place.

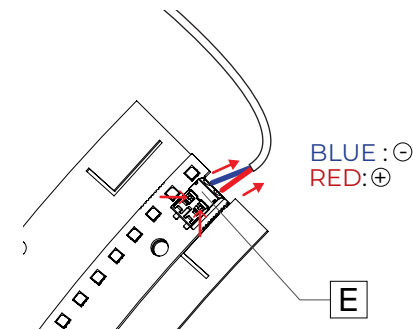


3 REMOVE CARTRIDGES.

Unscrew and remove cartridge(s) [D].



Disconnect LED moxer connector [E] by taking a pointed object and pressing on the two tabs on the top.



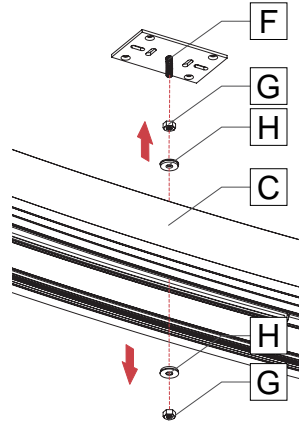
CURVIA SEAL

Recessed - Trim



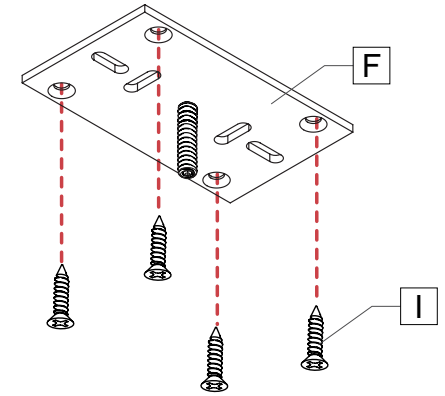
4 REMOVE MOUNTING BRACKETS.

Unfasten the mounting brackets [F] from the fixture [C] by removing the nuts [G] and washers (that are steel + rubber bonded together) [H]. Keep them in a safe place.



5 INSTALL MOUNTING BRACKETS.

Fix the mounting brackets [F] to a support beam with flat head screws [I].



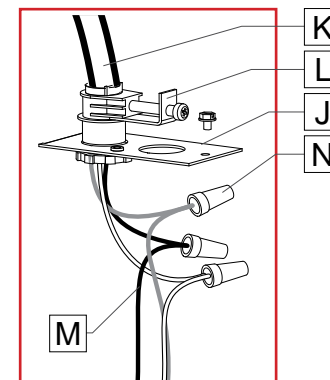
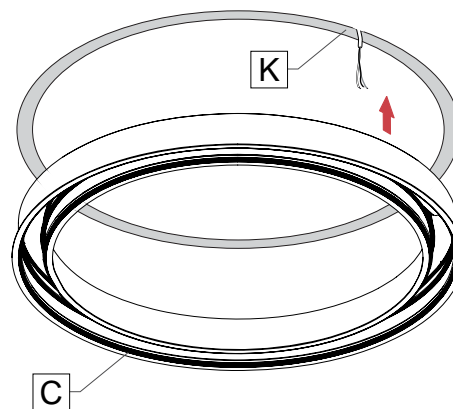
6 MAKE ELECTRICAL CONNECTIONS.

Remove the power plate [J] from the fixture [C]. Install main power cable [K] (by others) through the BX connector [L] (by others) and install onto the power plate [J] provided.

Make electrical connections between main power cable [K] and fixture cables [M] using wire nuts [N]. Reinstall the power plate [J] to the fixture [C].

Note: Number of wires may vary.

Warning: A luminaire with more than one power supply connection means shall be connected to only one branch circuit.



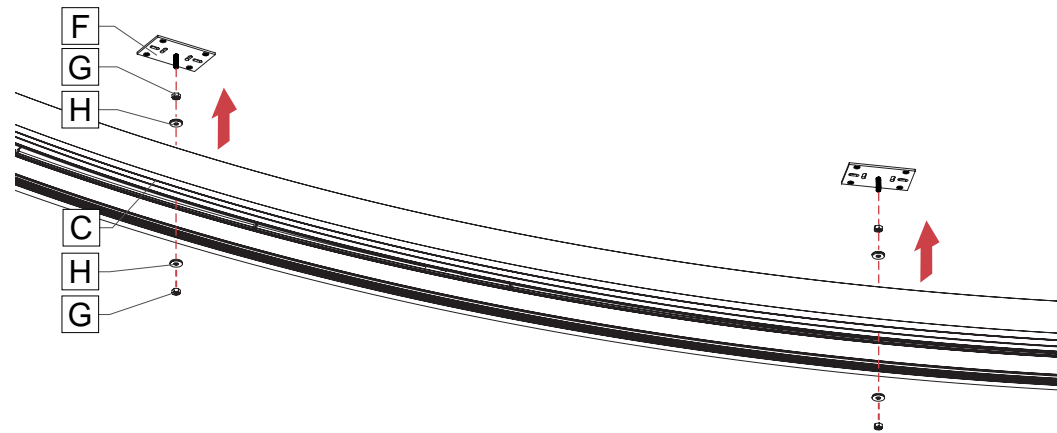
CURVIA SEAL

Recessed - Trim

7 INSTALL FIXTURE.

Install the sealed washers (that are steel + rubber bonded together) [H] and nuts [G] on the mounting brackets [F], then install the fixture [C]. Secure with the remaining washers (that are steel + rubber bonded together) [H] and nuts [G].

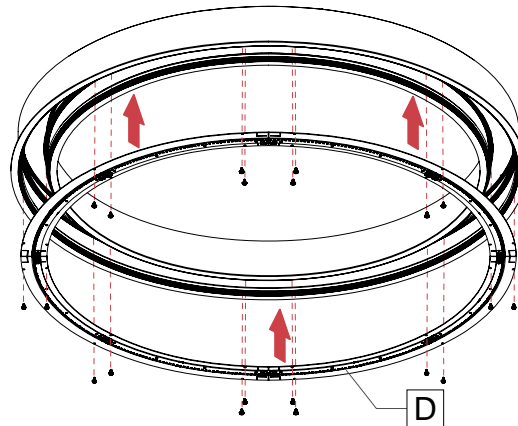
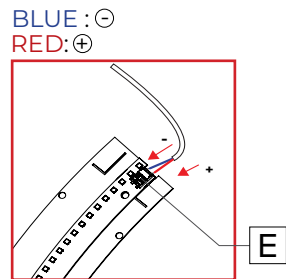
Note: Number of mounting brackets may vary.



8 RECONNECT LED AND REINSTALL CARTRIDGES.

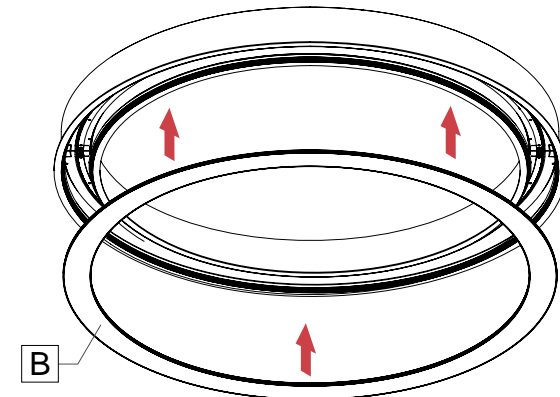
Reconnect the LED connector [E] to the cartridge [D]. Reinstall the cartridge [D].

NOTE: Connect Blue wire into the [-] negative terminal and the Red wire into the [+] positive terminal.



9 REINSTALL LENS.

Reinstall the lens [B].



CURVIA SEAL

Recessed - Trim



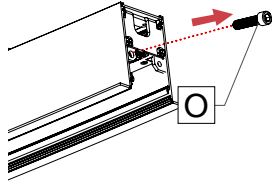
CONTINUOUS RUN

1 FOR A CONTINUOUS RUN, FOLLOW STEPS 1 - 5 FROM THE SINGLE FIXTURE SECTION FOR ALL THE FIXTURES IN THE RUN.

2 FOLLOW STEPS 6 - 7 FROM THE SINGLE FIXTURE SECTION FOR THE FIRST FIXTURE, THEN:

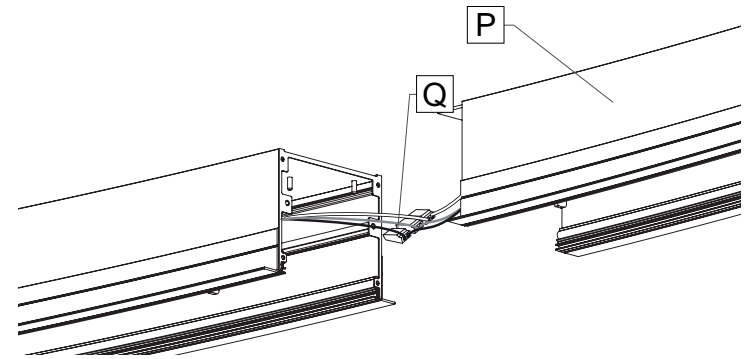
3 REMOVE THE JOINING SCREW.

From all fixtures in the run, unscrew and remove screws [O]. Keep them in a safe place.



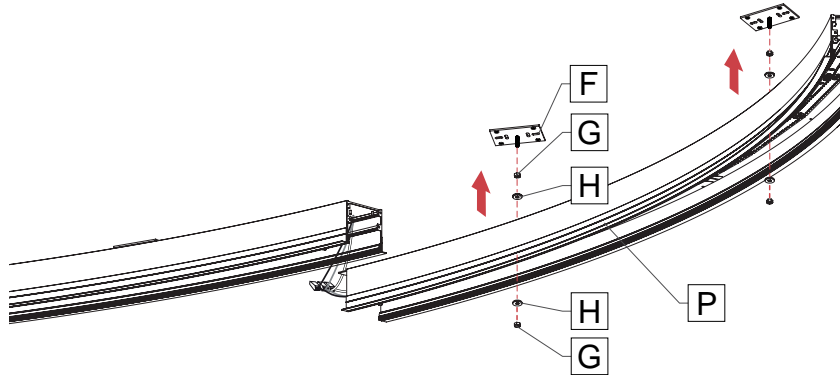
4 MAKE ELECTRICAL CONNECTIONS.

Raise the second fixture [P]. Make the wire connection between the two sections using wire connectors [Q]. Number of wires may vary.



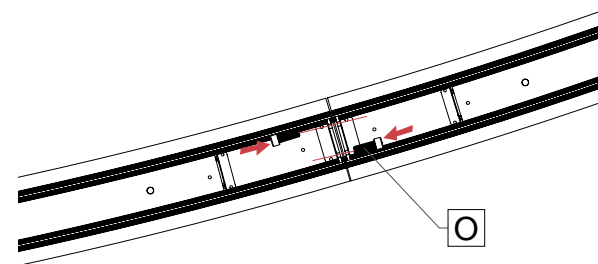
5 INSTALL SECOND FIXTURE TO THE CEILING.

Align the mounting brackets [F] with holes on top of the second fixture [P]. Use washers [M] and tighten nuts [G] to secure the fixture [P].



6 JOIN THE FIXTURES.

Join fixtures. Put the provided screws [O] back in place using the provided 3/16" ball-end screwdriver. Make sure that no wires are placed in between the extrusions, preventing the fixtures to be joined. Tighten the screws [O] to pull the segments together.



7 FOLLOW STEPS 8 - 9 FROM THE SINGLE FIXTURE SECTION FOR THE ALL THE FIXTURES IN THE RUN.

